

GPF Series Oil mist filter



Ordering code

GPF300 **08** **M** **T**

① ② ③ ④ ⑤ ⑥ ⑦

① Model	② Bowl Material	③ Port size	
GPF200: 200 Series Oil mist filter	Blank: PC N: Nylon C: Metal	06: 1/8"	
GPF300: 300 Series Oil mist filter		08: 1/4"	
GPF400: 400 Series Oil mist filter		10: 3/8"	
		10: 3/8"	
		15: 1/2"	
④ Drain type	⑤ Accessories	⑥ Filtering grade	⑦ Thread type
Blank: Semi-auto drain A: Automatic drain	Blank: Bracket J: No bracket	M: 0.3 μm D: 0.01 μm	T: NPT

Specification

Model	GPF20006	GPF20008	GPF30008	GPF30010	GPF40010	GPF40015
Fluid	Air					
Port size [Note1]	1/8"	1/4"	1/4"	3/8"	3/8"	1/2"
Filtering grade	M 0.3 μm (Capture efficiency 99.9%)					
	D 0.01 μm (Capture efficiency 99.9%)					
Pressure range	20~145psi(0.15~1.0MPa)					
Proof pressure	215psi(1.5MPa)					
Temperature range	-5~70°C(Unfreeze)					
Bowl Material	Polycarbonate, Nylon, Metal					
Capacity of drain bowl	19CC		54.5CC		89CC	
Weight	PC bowl		356g		620g	
	Metallic bowl		397g		627g	

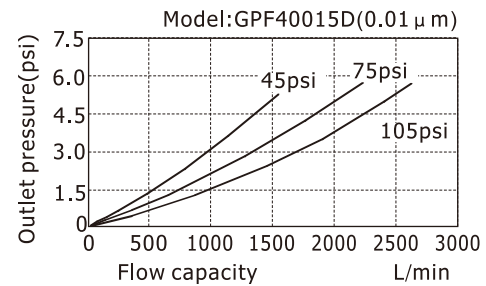
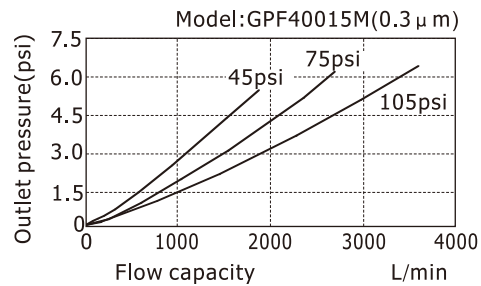
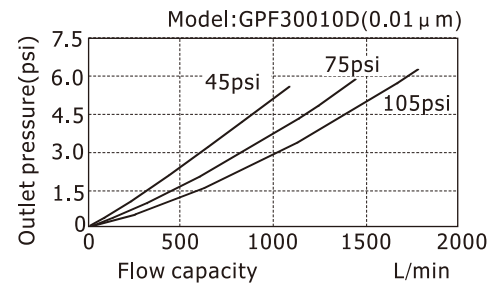
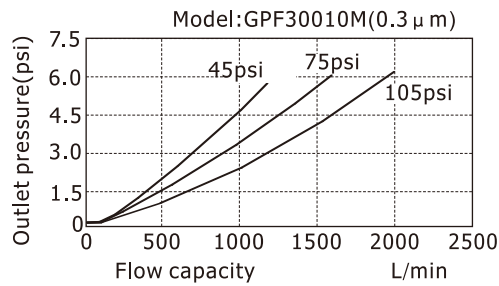
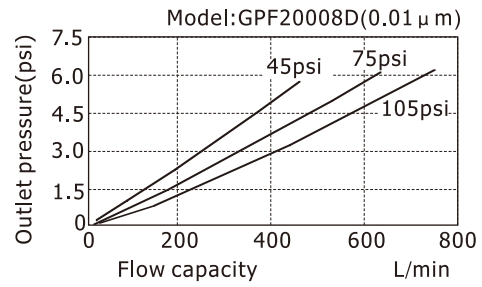
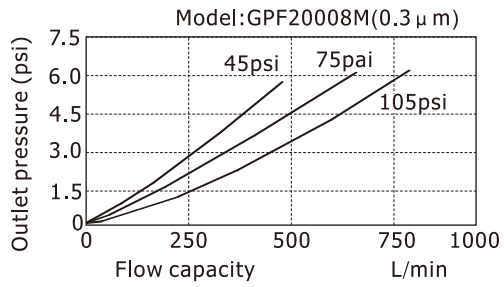
[Note1] NPT thread is available.

Product feature

1. Low pressure drop, high oil mist remove efficiency up to 99% and large drain bowl.
2. 0.3 μm and 0.01 μm filtering grade are available.
3. Two drain types are available: semi-auto drain, and automatic drain.
4. To meet the needs of different environment the bowl material has Poly Carbonate, nylon and metal can be selected.
5. Monomeric products can select the bracket for installation, others can be used with F.R.L Combination.

GPF Series Oil mist filter

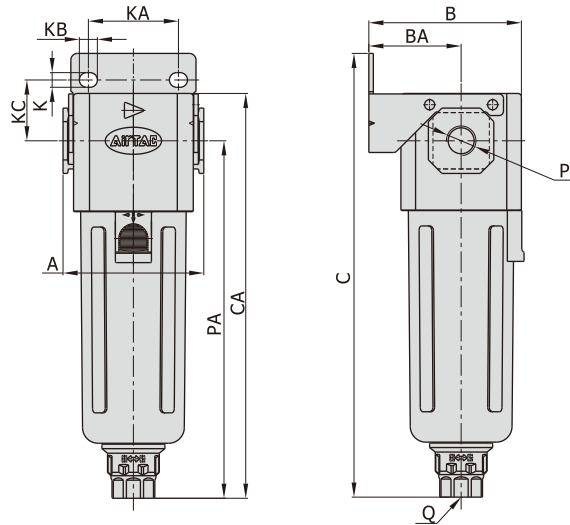
Flow chart



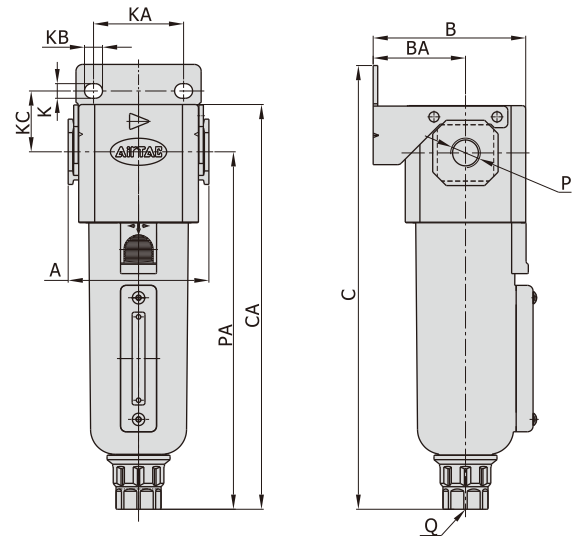
GPF Series Oil mist filter

Dimensions

PC bowl + Metallic bowl guard



Metallic bowl



[Unit: mm]

Model\Item	A	B	BA	C	CA	K	KA	KB	KC	P	PA	Q
GPF200(C/N)06	52.5	54.5	33	150	137	5.4	27	8.4	23	1/8"	120	M5X0.8
GPF200(C/N)08	52.5	54.5	33	150	137	5.4	27	8.4	23	1/4"	120	M5X0.8
GPF300(C/N)08	62.5	67.8	41	197	179	6.5	40	8	27	1/4"	158	G1/4
GPF300(C/N)10	62.5	67.8	41	197	179	6.5	40	8	27	3/8"	158	G1/4
GPF400(C/N)10	80	84	50	220	202.5	8.5	55	11	33.5	3/8"	177.5	G1/4
GPF400(C/N)15	80	84	50	220	202.5	8.5	55	11	33.5	1/2"	177.5	G1/4